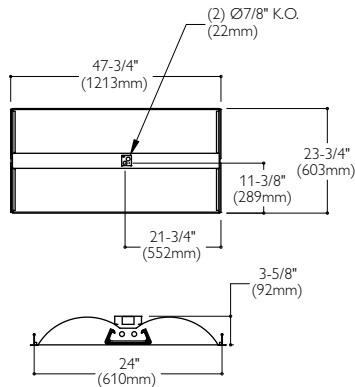
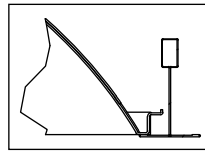


# Alter Concept **GS Lens**

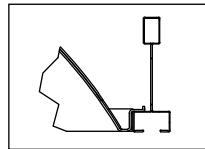
## 2' x 4' Direct/Indirect Recessed Fluorescent



Ceiling compatibility for G type luminaires



Suited to standard exposed 15/16" T-grid ceilings



Suited to standard exposed Slot T-grid ceilings



### Ordering information

<b>QCE</b>	<b>2</b>	<b>G</b>	<b>GS</b>	<b>OP</b>	<b>2</b>				
Family	Luminaire Width	Ceiling Type	Lamp Shield	Lamp Shield Details	Lamp Quantity	Lamp	Voltage	Ballast	Options
QCE = Alter Concept	2 = 2'	G = Fits standard 15/16" T-grid or Slot T-grid ceilings	GS = Frosted acrylic side lenses, micro-prismatic center lens	OP = One piece (no center slot) lamp shield	2 = 2 Lamps	28 = T5 28W 54 = T5HO 54W	UNV = UNV 347 = 347V	PG = Elect. PR.S. T5/T5HO, 1 or 2 LPB, <10% THD	

### Features

- Up to 82.4% efficient
- Shallow design, only 3-5/8" deep – ideal for restricted plenums
- Seamless welded form: curved top and side reflectors are formed together without any gaps or visual barriers
- Post-painted with 95% reflective Alter soft white paint
- One piece body for easy installation
- Elegant lens design with frost side lenses and microprism bottom lens. Optical film on inside of lens diffuses lamp image providing a balance between performance and visual comfort.
- Swing down lens assembly for easy and tool less access to lamp compartment facilitating relamping and maintenance
- Fully recessed luminaire and lamp compartment
- Fits standard 15/16" T-Grid, Slot T-Grid or drywall ceilings

### Specifications

**Materials:** One piece chassis constructed from die formed 20 gauge cold rolled steel.

**Finish:** Baked white acrylic matte high reflectance paint finish.

**Lens:** Aluminum frame with frosted acrylic side lenses and microprism bottom lens.

**Electrical:** Thermally protected class "P" ballast. If K.Os are within 3" of ballast, use wire suitable for at least 90°C. Suitable for damp location.

**Labels:** cCSAus

### Options/Accessories

**Electrical wiring options:** Consult factory

**Drywall Kit:** Order Catalogue Number: **FK92X4**.

**Hold Down Clips:** Order Catalogue Number: **QVS-HD**.

**Emergency Lighting System:** Consult factory.

### Job Information

### Type:

**Job Name:**

**Cat. No.:**

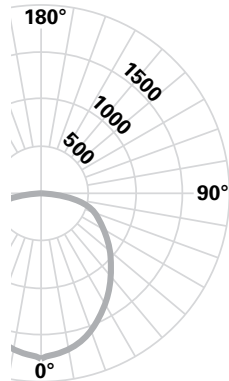
**Notes:**

# Alter Concept GS Lens

## 2' x 4' Direct/Indirect Recessed Fluorescent

### Performance

#### CANDLEPOWER CURVE 228



#### CANDLEPOWER

ZONE DEG	ALONG				ACROSS
	22.5	45	67.5		
0	1745	1745	1745	1745	1745
5	1736	1745	1747	1737	1710
10	1702	1711	1714	1706	1680
15	1644	1654	1655	1644	1620
20	1565	1574	1574	1565	1543
25	1465	1474	1479	1471	1450
30	1351	1363	1372	1371	1353
35	1232	1241	1259	1269	1253
40	1102	1118	1150	1161	1149
45	976	996	1038	1055	1049
50	850	875	926	955	955
55	729	759	819	858	862
60	606	647	716	766	774
65	489	534	614	674	688
70	377	427	514	587	605
75	269	325	416	495	516
80	167	224	310	366	373
85	76	118	207	122	117
90	0	0	0	0	0

REPORT NO: C11194  
 CAT. NO: QCE2GGSOP228UNVPG  
 2 28W T5 Fluorescent Lamps at 2900 lumens.  
 Efficiency: 82.4%  
 Candela at Nadir: 1745cd

#### COEFFICIENTS OF UTILIZATION

ZONAL CAVITY METHOD \* EFFECTIVE FLOOR CAVITY REFLECTANCE = .20

Room Cavity Ratio	Wall Reflectance										
	80				70				50		
	70	50	30	10	70	50	30	10	50	30	10
0	.98	.98	.98	.98	.96	.96	.96	.96	.92	.92	.92
1	.90	.86	.82	.79	.87	.84	.81	.78	.80	.78	.75
2	.82	.75	.69	.65	.80	.73	.68	.64	.70	.66	.62
3	.75	.66	.59	.54	.73	.65	.59	.54	.62	.57	.53
4	.68	.59	.52	.46	.67	.58	.51	.46	.56	.50	.45
5	.63	.52	.45	.39	.61	.51	.44	.39	.49	.43	.38
6	.58	.47	.39	.34	.56	.46	.39	.34	.44	.38	.33
7	.53	.42	.35	.30	.52	.41	.34	.29	.40	.34	.29
8	.49	.38	.31	.26	.48	.37	.30	.26	.36	.30	.26
9	.45	.34	.27	.22	.44	.34	.27	.22	.33	.26	.22
10	.42	.31	.24	.20	.41	.31	.24	.20	.30	.24	.20

DETERMINED IN ACCORDANCE WITH CURRENT IES PUBLISHED PROCEDURES  
 LUMINAIRE INPUT WATTS = 62.4

#### DISTRIBUTION

ZONE	LUMENS	% LAMP	%LUMINAIRE
0-30	1306	22.51	27.32
0-40	2088	36.00	43.69
0-60	3601	62.09	75.36
0-90	4779	82.40	100.00
40-90	2691	46.40	56.31
60-90	1178	20.30	24.64
90-180	0	0.00	0.00
0-180	4779	82.40	100.00



Canlyte  
 3015 Louis-Amos, Lachine, Québec H8T 1C4  
 e: canlyte-info@philips.com  
 t: (514) 636-0670  
 w: www.canlyte.com  
 GS 2x4 February 2, 2012.  
 Specifications are subject to change without notice.  
 © Koninklijke Philips Electronics N.V., 2011. All rights reserved.

#### Job Information

Type: